

SECTION : 9H

SEATS

CAUTION : *Disconnect the negative battery cable before removing or installing any electrical unit or when a tool or equipment could easily come in contact with exposed electrical terminals. Disconnecting this cable will help prevent personal injury and damage to the vehicle. The ignition must also be in LOCK unless otherwise noted.*

TABLE OF CONTENTS

SPECIFICATIONS	9H-1	REAR SEAT CUSHION	9H-9
FASTENER TIGHTENING SPECIFICATIONS .	9H-1	REAR SEATBACK (NOTCHBACK)	9H-10
MAINTENANCE AND REPAIR	9H-2	60/40 SPLIT REAR SEATBACK HINGE	9H-11
ON-VEHICLE SERVICE	9H-2	60/40 SPLIT REAR SEATBACK LOCK STRIKER	9H-12
FRONT BUCKET SEATS	9H-2	SEAT COVERS	9H-13
HEAD RESTRAINT	9H-3	GENERAL DESCRIPTION AND SYSTEM	
FRONT SEATBACK	9H-4	OPERATION	9H-14
FRONT SEAT CUSHION	9H-5	SEATS	9H-14
FRONT SEAT ADJUSTERS	9H-7	60/40 SPLIT REAR SEATBACK	9H-14
FRONT SEAT TRIM	9H-8		

SPECIFICATIONS

FASTENER TIGHTENING SPECIFICATIONS

Application	N•m	Lb-Ft	Lb-In
Center Seat Hinge Bolts	25	18	–
Front Seatback Bolts	45	33	–
Front Seat Trim Screws	12	–	106
Lower Seat Cushion Bolts	24	18	–
Outer Seat Hinge Bolts	35	26	–
Rear Seatback Bolts	25	18	–
Rear Seatback Lock Striker Bolts	10	–	89
Recliner Adjustment Knob Screw	12	–	106
Seat Cushion Height Adjuster Knob Screws	10	–	89
Seat-to-Floor Bolts (Front)	25	18	–
Seat-to-Floor Bolts (Rear)	25	18	–
Side Seat Cushion Bolts	24	18	–

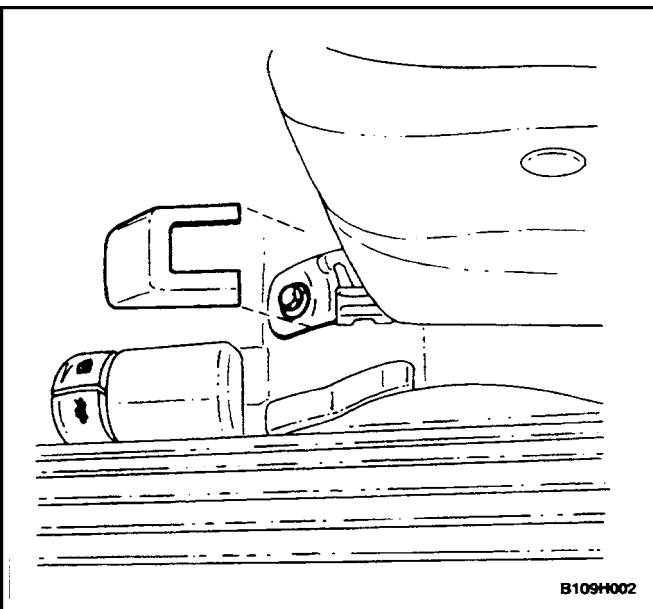
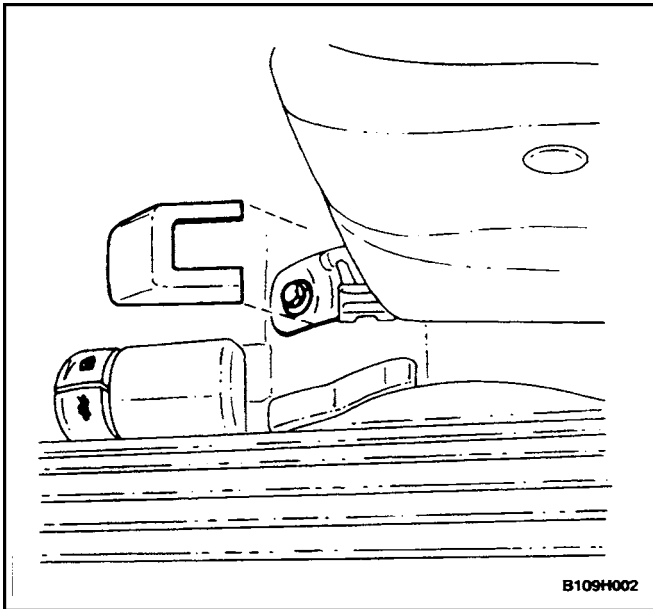
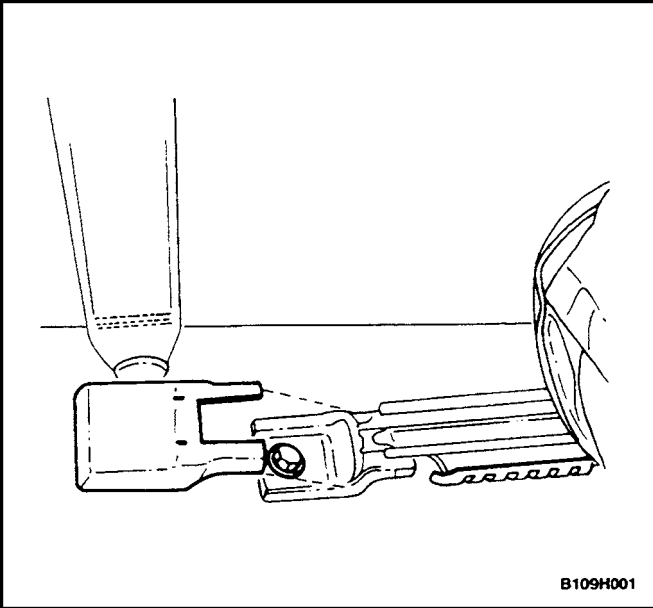
MAINTENANCE AND REPAIR

ON-VEHICLE SERVICE

FRONT BUCKET SEATS

Removal Procedure

1. Disconnect the negative battery cable.
2. Remove the plastic caps to reveal the bolts securing the rear portion of the front seat to the floor.
3. Remove the bolts securing the rear portion of the seat to the floor.
4. Remove the plastic caps to reveal the bolts securing the front portion of the front seat to the floor.
5. Remove the bolts securing the front portion of the front seat to the floor.
6. Disconnect the electrical connector from the driver's seat.
7. Remove the seat.



Installation Procedure

1. Install the seat.
2. Connect the electrical connector to the driver's seat.

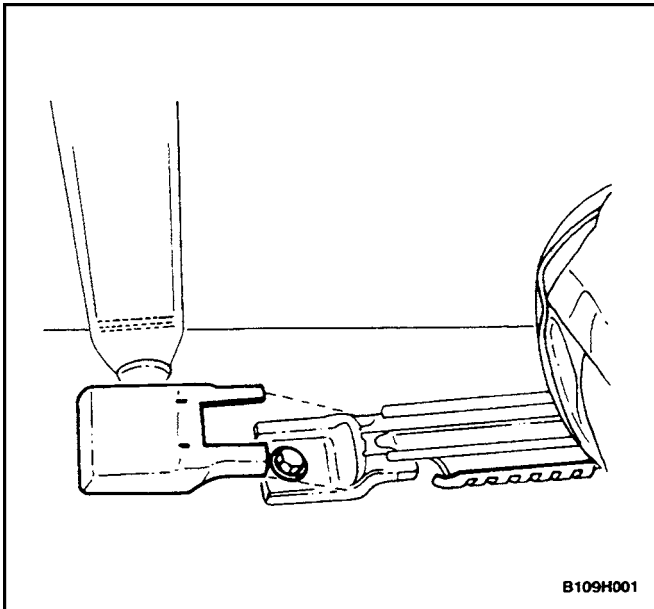
Notice : Dissimilar metals in direct contact with each other may corrode rapidly. Make sure to use the correct fasteners to prevent premature corrosion.

3. Install the bolts into the front portion of the front seat.

Tighten

Tighten the seat-to-floor bolts (front) to 25 N•m (18 lb-ft).

4. Install the plastic caps.

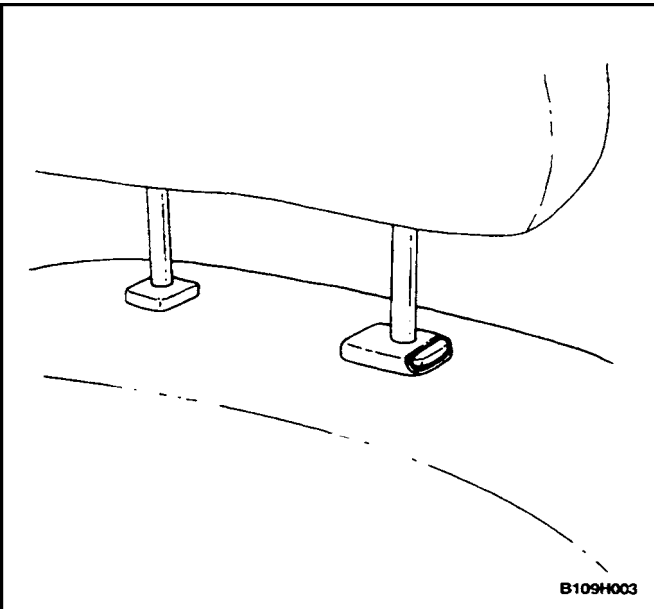


5. Install the bolts into the rear portion of the front seat.

Tighten

Tighten the seat-to-floor bolts (rear) to 25 N•m (18 lbf).

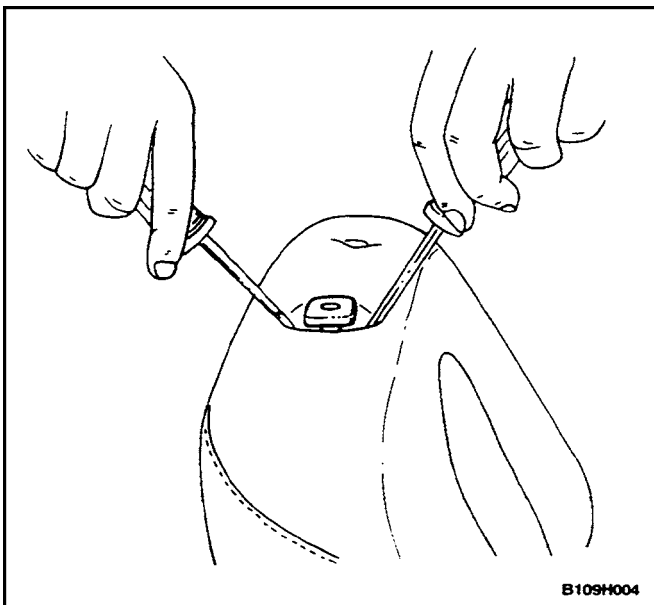
6. Install the plastic caps.
7. Connect the negative battery cable.



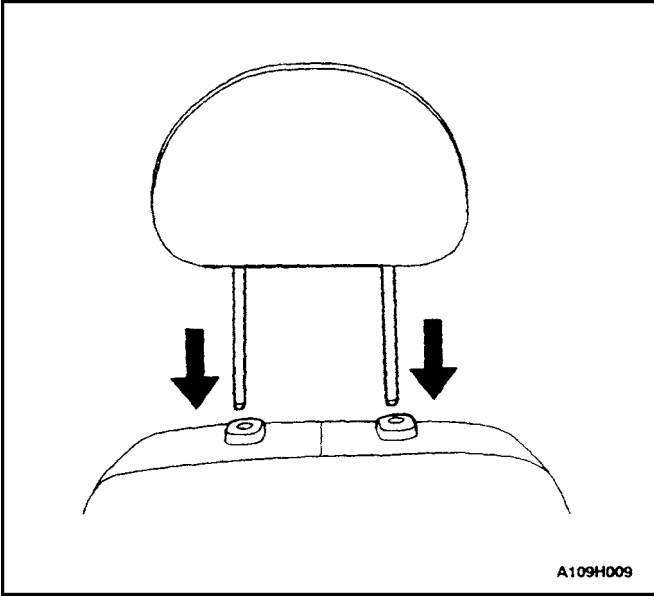
HEAD RESTRAINT

Removal Procedure

1. Press in the head restraint adjust button and remove the head restraint from the seatback.

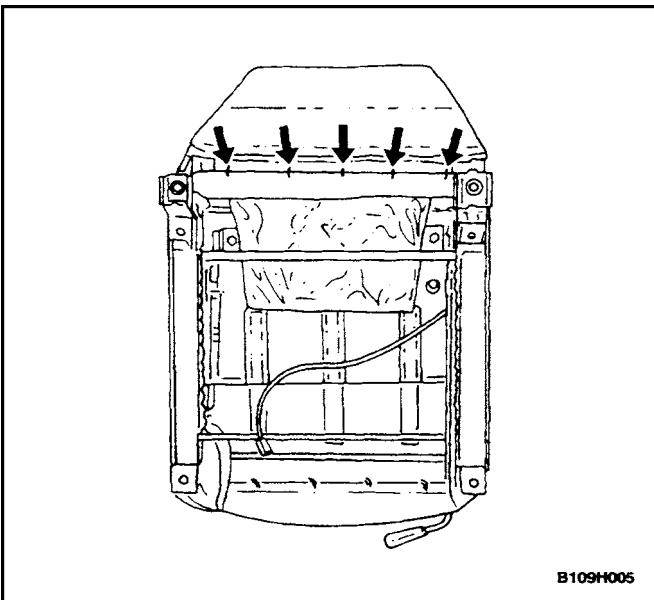


2. Insert two flat head screwdrivers down the front and back side of the guide sleeves.
3. With the screwdrivers, press in the retaining latches and remove the guide sleeves.



Installation Procedure

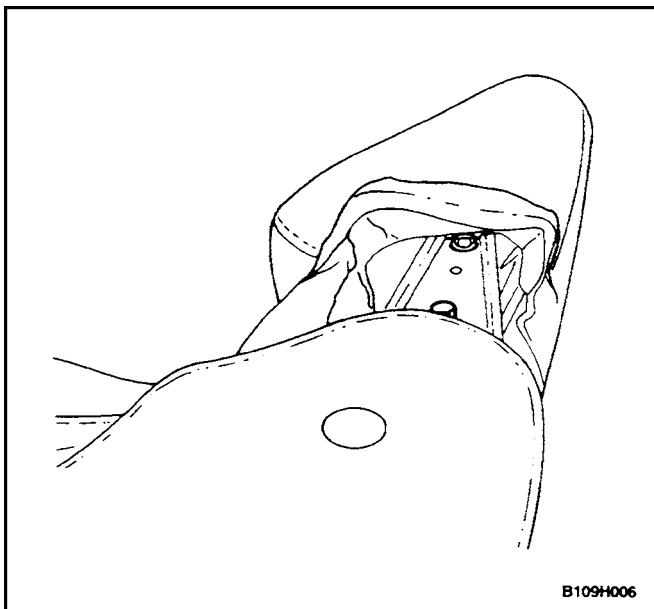
1. Install the guide sleeves into the seatback and press them down in order to engage the guide sleeve retaining latches.
2. Install the head restraint into the guide sleeves.



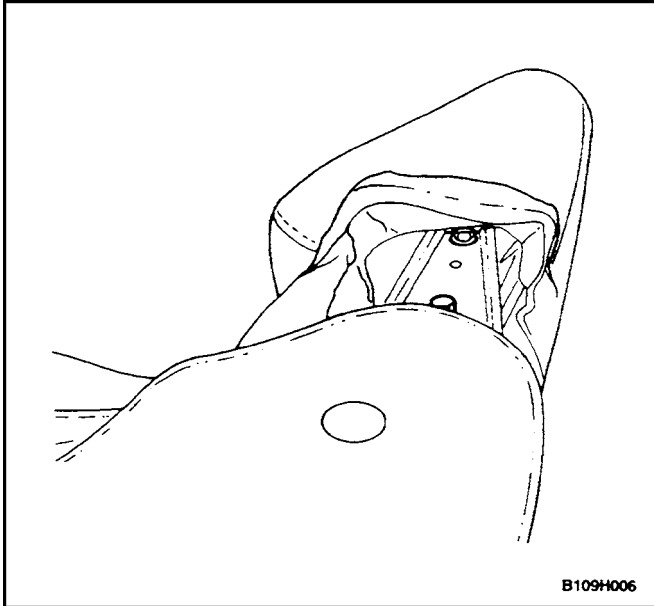
FRONT SEATBACK

Removal Procedure

1. Remove the front bucket seat from the vehicle. Refer to "Front Bucket Seats" in this section.
2. Remove the hog rings at the base of the seatback.



3. Reposition the seatback cover.
4. Remove the bolts and the seatback.



Installation Procedure

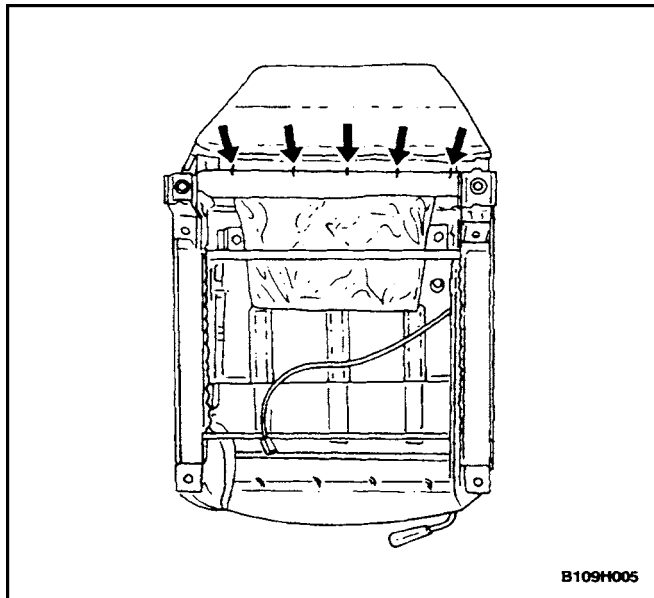
1. Install the seatback onto the seat cushion.

Notice : Dissimilar metals in direct contact with each other may corrode rapidly. Make sure to use the correct fasteners to prevent premature corrosion.

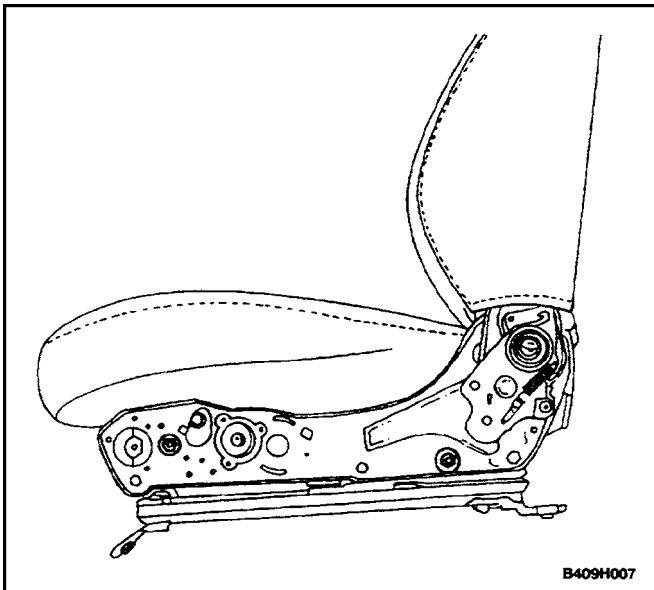
2. Install the front seatback bolts.

Tighten

Tighten the front seatback bolts to 45 N•m (33 lb–ft).



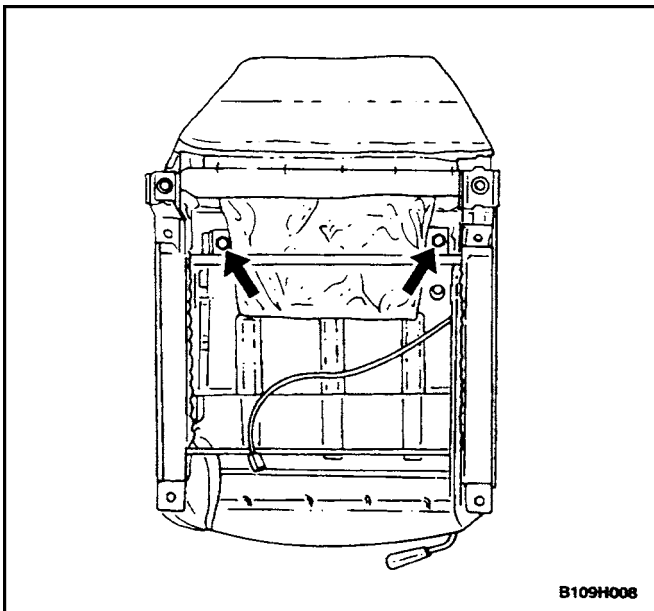
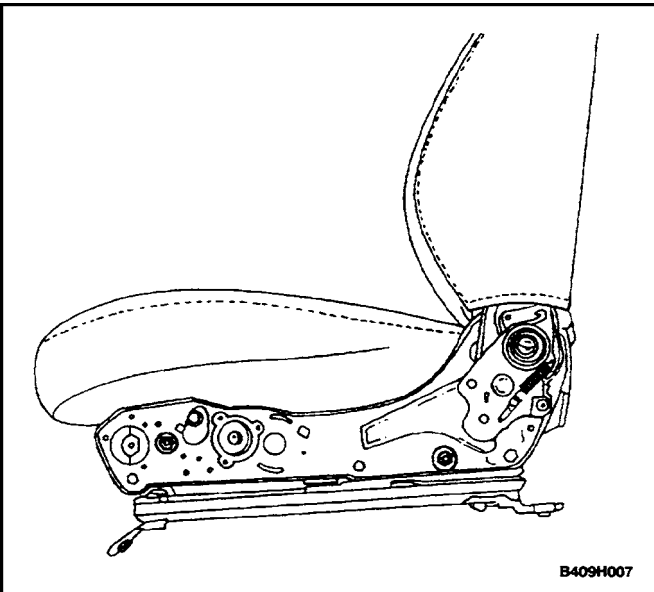
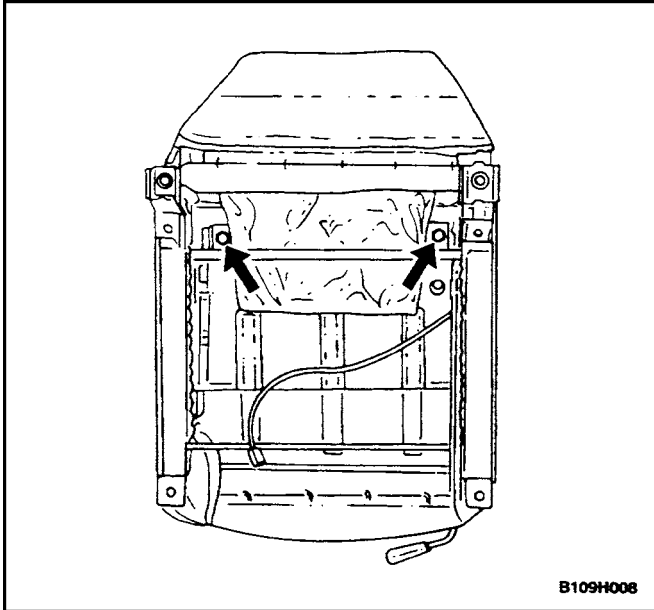
3. Install the seat cover to its original position.
4. Install new hog rings onto the base of the seat cover.
5. Install the front bucket seat in the vehicle. Refer to "Front Bucket Seats" in this section.



FRONT SEAT CUSHION

Removal Procedure

1. Remove the front seat from the vehicle. Refer to "Front Bucket Seats" in this section.
2. Remove the seat trim. Refer to "Front Seat Trim"
3. Remove the side seat cushion bolts.



4. Remove the seat cushion bolts underneath the cushion.
5. Remove the cushion from the seat track.

Installation Procedure

1. Install the cushion onto the seat track.

Notice : Dissimilar metals in direct contact with each other may corrode rapidly. Make sure to use the correct fasteners to prevent premature corrosion.

2. Install the seat track to the seat cushion with the bolts on the side of the cushion.

Tighten

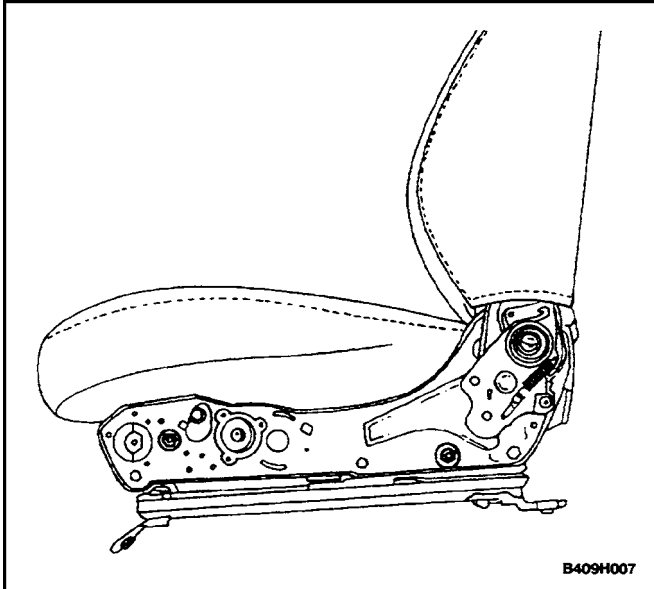
Tighten the side seat cushion bolts to 24 N•m (18 lbf).

3. Install the seat cushion bolts underneath the cushion.

Tighten

Tighten the lower seat cushion bolts to 24 N•m (18 lbf).

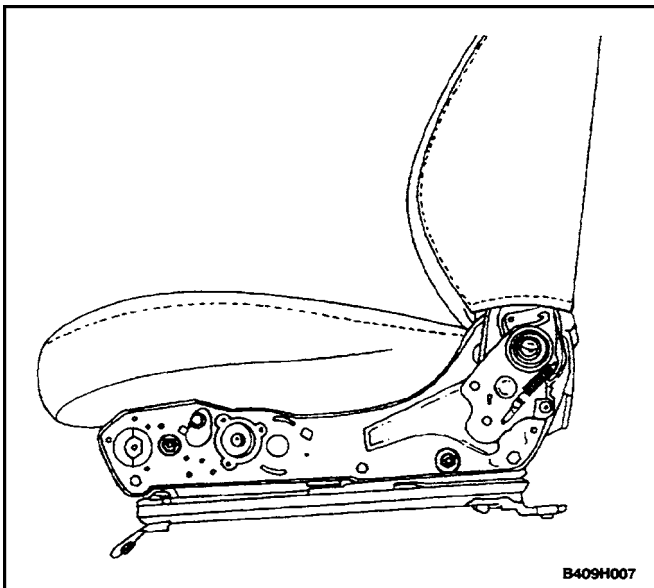
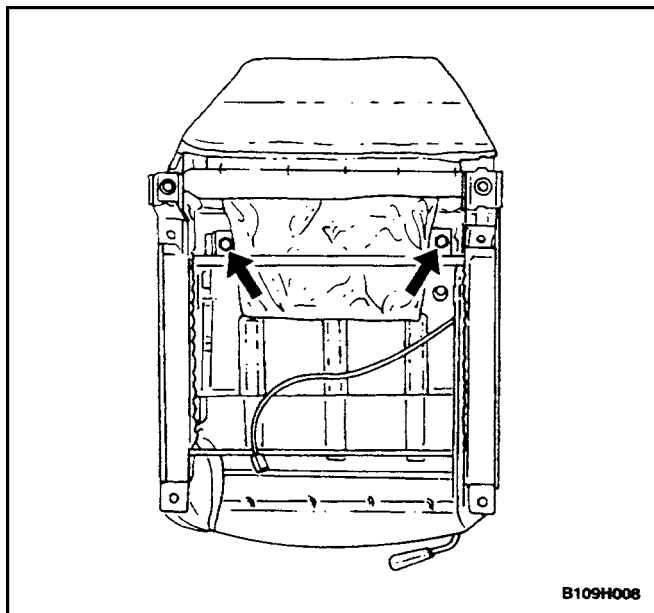
4. Install the seat trim. Refer to "Front Seat Trim" in this section.
5. Install the front seat in the vehicle. Refer to "Front Bucket Seats" in this section.



FRONT SEAT ADJUSTERS

Removal Procedure

1. Remove the seatback. Refer to "Front Seatback" in this section.
2. Remove the seat trim. Refer to "Front Seat Trim" in this section.
3. Remove the side seat cushion bolts.
4. Remove the seat cushion bolts underneath the cushion.
5. Remove the seat track from the seat cushion.

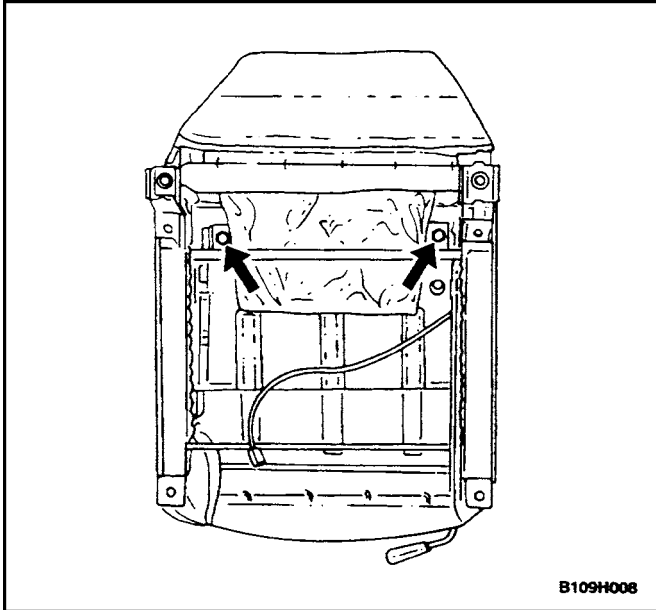


Installation Procedure

1. Install the cushion onto the seat track.
Notice : Dissimilar metals in direct contact with each other may corrode rapidly. Make sure to use the correct fasteners to prevent premature corrosion.
2. Install the seat track to the seat cushion with the side seat cushion bolts.

Tighten

Tighten the side seat cushion bolts to 24 N•m (18 lbft).

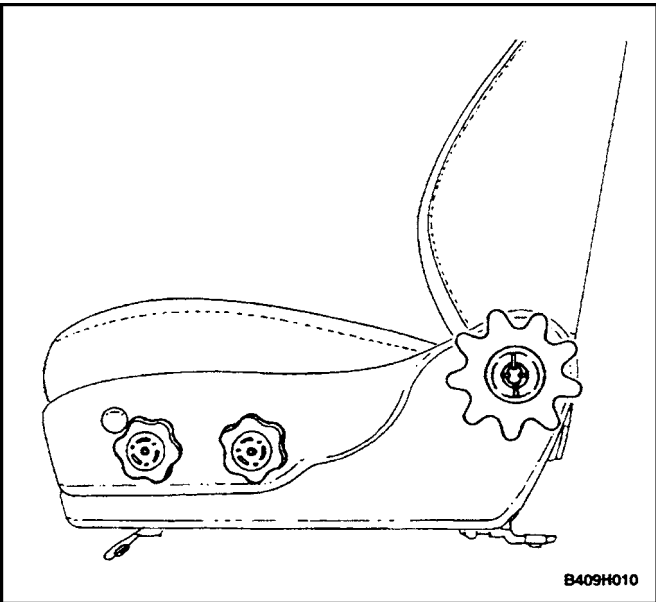


3. Install the seat track to the seat cushion with the bolts underneath the cushion.

Tighten

Tighten the lower seat cushion bolts to 24 N•m (18 lbf).

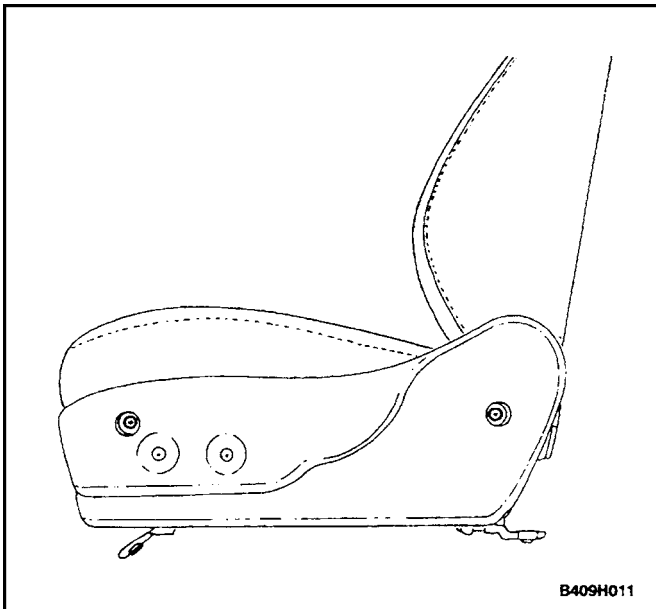
4. Install the seat trim. Refer to "Front Seat Trim" in this section.
5. Install the seatback. Refer to "Front Seatback" in this section.



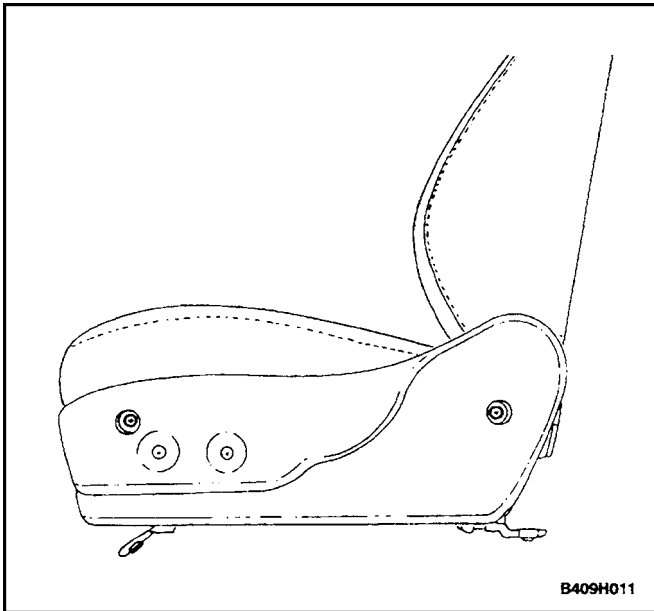
FRONT SEAT TRIM

Removal Procedure

1. Remove the front bucket seat from the vehicle. Refer to "Front Bucket Seats" in this section.
2. Remove the recliner adjustment knob cap to reveal the screw.
3. Remove the screw and the recliner adjustment handle.
4. Remove the seat cushion height adjuster knob caps to reveal the screws.
5. Remove the screws and the seat cushion height adjuster knobs.



6. Remove the plastic caps to reveal the front seat trim screws.
7. Remove the screws and the front seat trim.



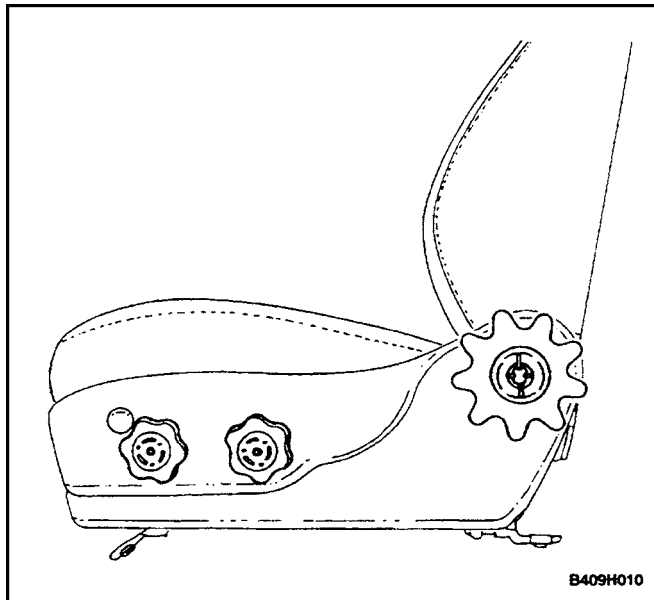
Installation Procedure

Notice : Dissimilar metals in direct contact with each other may corrode rapidly. Make sure to use the correct fasteners to prevent premature corrosion.

1. Install the front seat trim with the screws.

Tighten

Tighten the front seat trim screws to 12 N•m (106 lbin).



2. Install the plastic caps.
3. Install the seat cushion height adjuster knobs with the screws.

Tighten

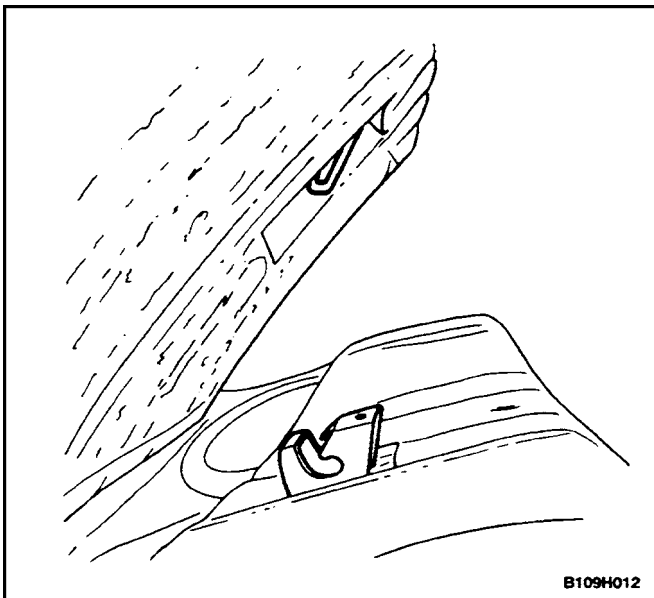
Tighten the seat cushion height adjuster knob screws to 10 N•m (89 lb-in).

4. Install the seat cushion height adjustment knob caps.
5. Install the recliner adjustment knob with the screw.

Tighten

Tighten the recliner adjustment knob screw to 12 N•m (106 lb-in).

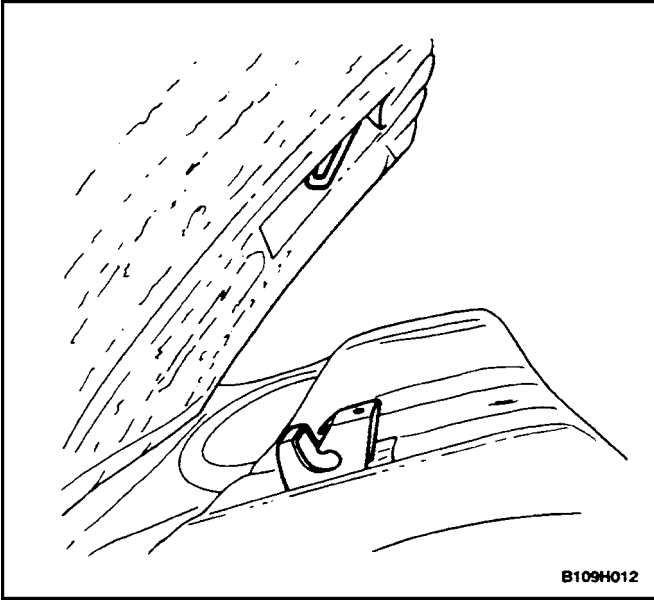
6. Install the recliner adjustment knob cap.
7. Install the front bucket seat in the vehicle. Refer to "Front Bucket Seats" in this section.



REAR SEAT CUSHION

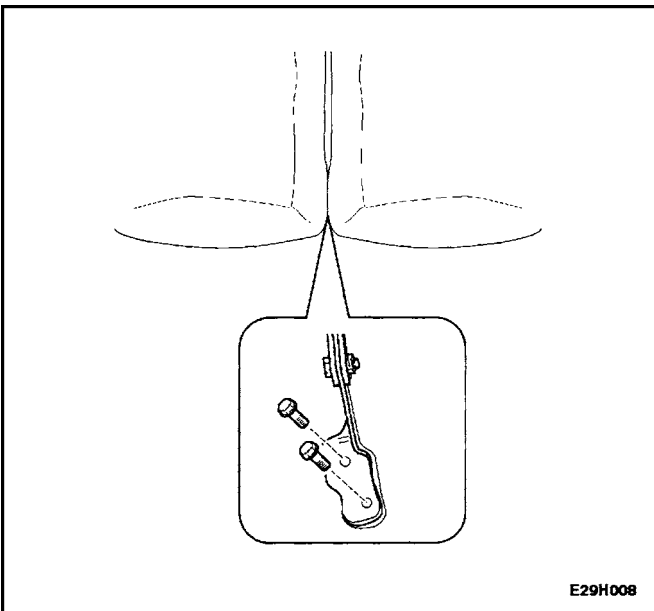
Removal Procedure

1. Remove the rear seat cushion from the floor by sliding it rearward and lifting it off the retaining brackets.



Installation Procedure

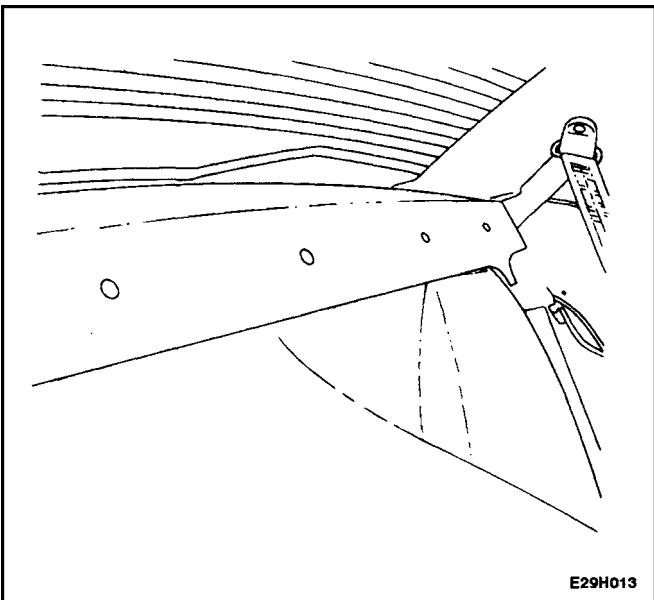
1. Install the rear seat cushion by inserting the metal loops into the retaining brackets and sliding the cushion forward.



REAR SEATBACK (NOTCHBACK)

Removal Procedure

1. Remove the rear seat cushion. Refer to "Rear Seat Cushion" in this section.
2. Remove the center hinge and rear seat back.

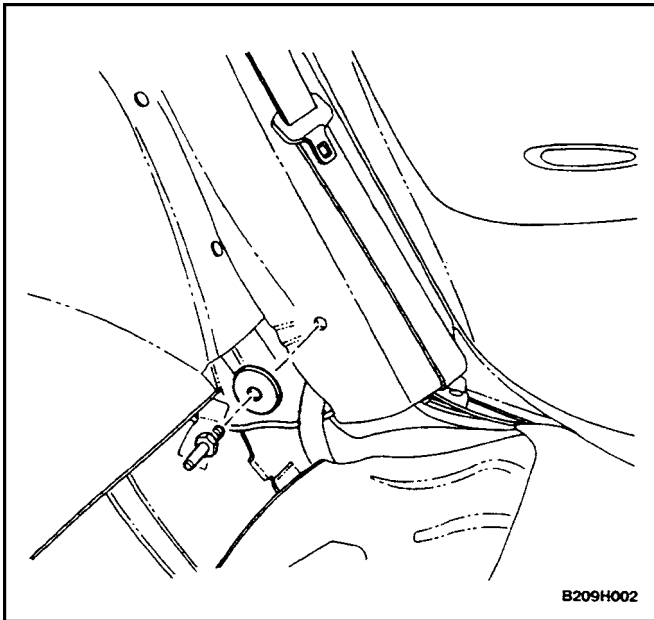


Installation Procedure

1. Install the center hinge and rear seat back.

Tighten

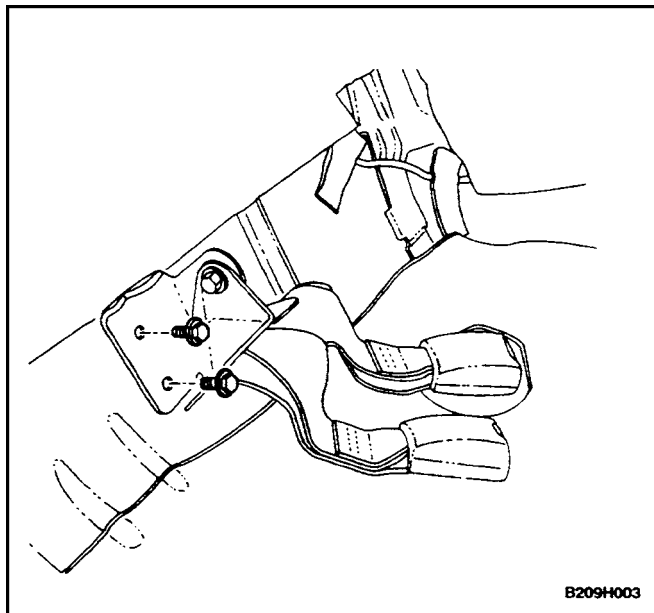
Tighten the center seat hinge bolts to 25 N•m (18 lb-ft).



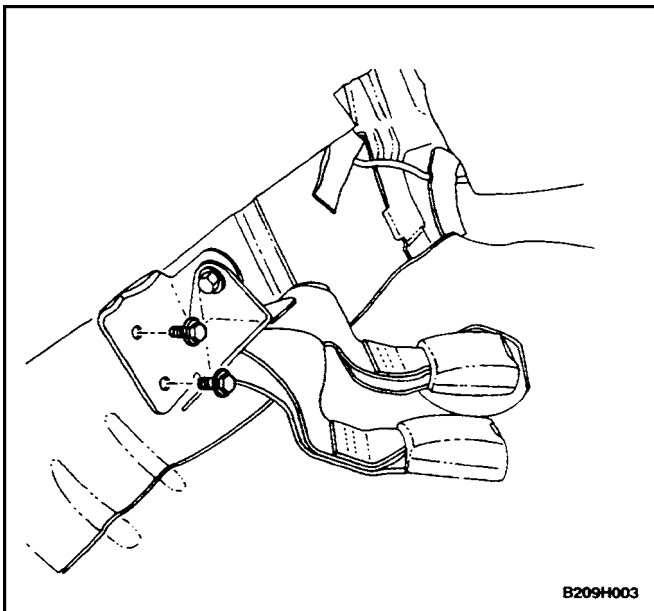
60/40 SPLIT REAR SEATBACK HINGE

Removal Procedure

1. Remove the rear seatbacks and the cushion. Refer to "60/40 Split Rear Seatback" and "Rear Seatback" in this section.
2. Remove the seatback lock strikers. Refer to "60/40 Split Rear Seatback Lock Striker" in this section.
3. Remove the outer hinge bolts.



4. Remove the bolts and the center hinge.

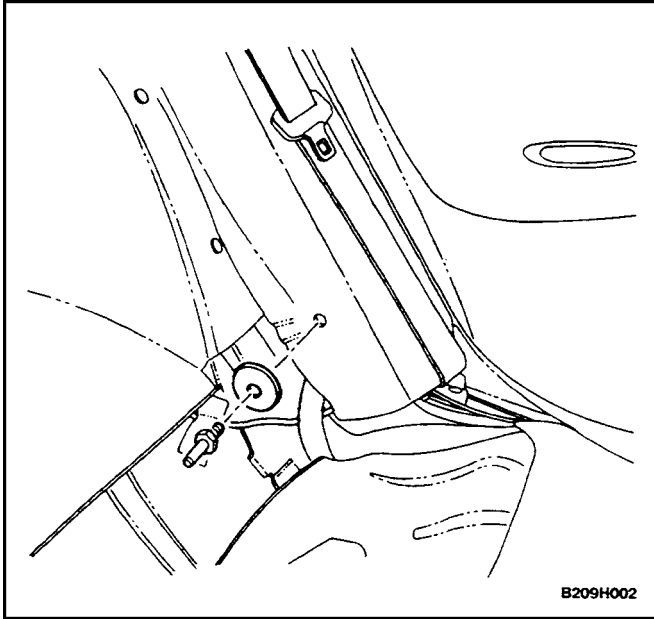


Installation Procedure

1. Install the outer hinge bolts.

Tighten

Tighten the center seat hinge bolts to 25 N•m (18 lbft).

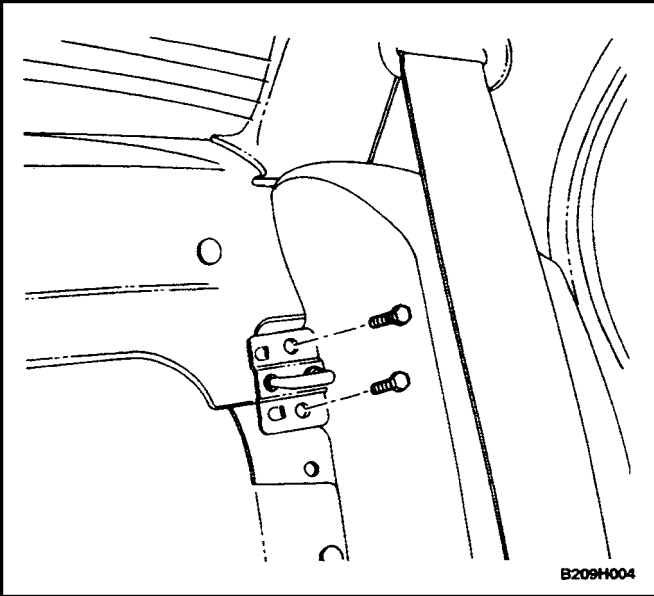


2. Install the outer hinge bolts.

Tighten

Tighten the outer seat hinge bolts to 35 N•m (26 lbft).

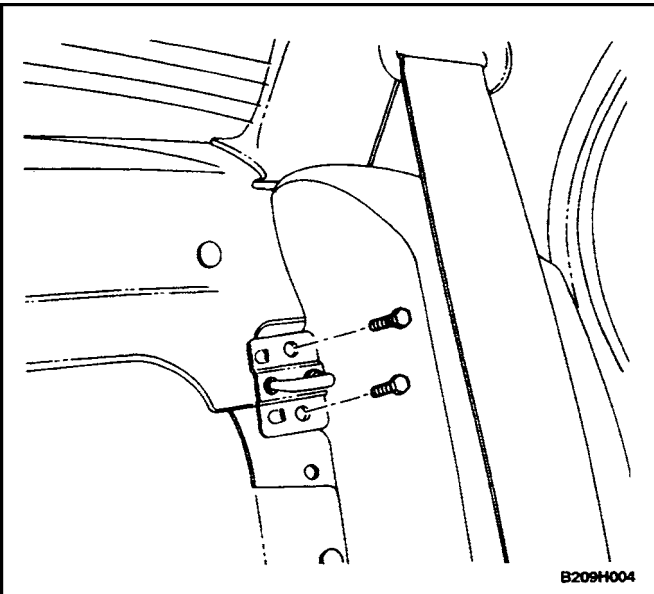
3. Install the seatback lock strikers. Refer to "60/40 Split Rear Seatback Lock Striker" in this section.
4. Install the rear seatbacks and the cushion. Refer to "60/40 Split Rear Seatback" and "Rear Seat Cushion" in this section.



60/40 SPLIT REAR SEATBACK LOCK STRIKER

Removal Procedure

1. Lower the rear seatbacks.
2. Remove bolts and the seatback lock strikers.



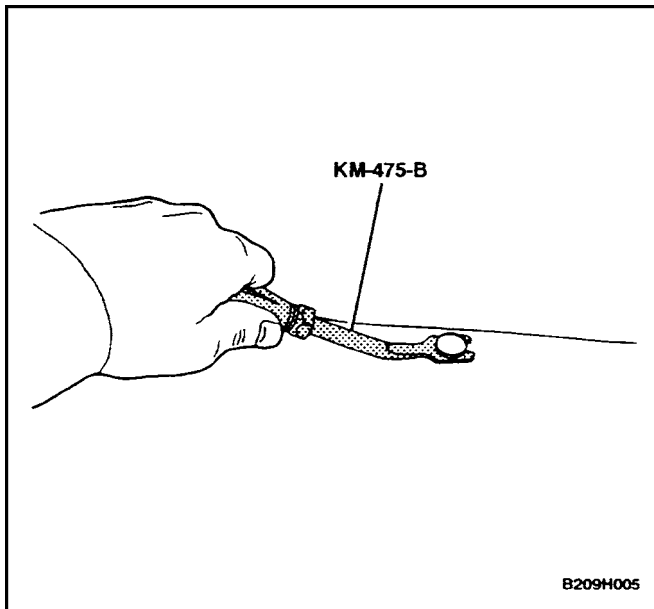
Installation Procedure

1. Install the seatback lock strikers with the bolts.

Tighten

Tighten the rear seatback lock striker bolts to 10 N•m (89 lb-in).

2. Raise and secure the rear seatbacks in the upright position.

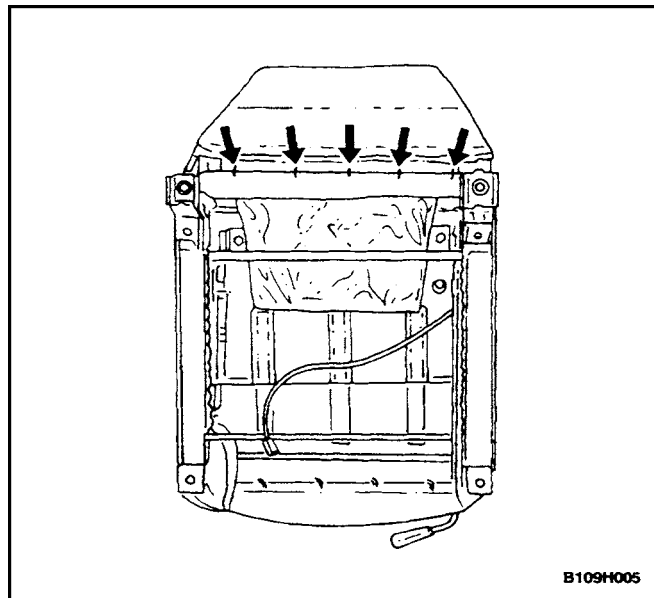


SEAT COVERS

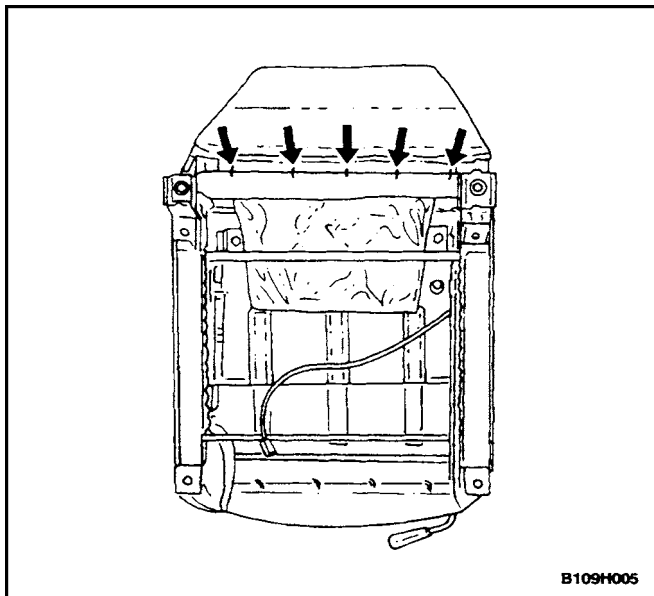
(Front Bucket Seat Cover Shown, Other Seat Covers Similar)

Removal Procedure

1. Remove the seatback and/or the cushion. Refer to "Front Seatback," "Front Seat Cushion," "60/40 Split Rear Seatback," and/or "Rear Seat Cushion" in this section.



2. Remove the hog rings from the seatback and/or the cushion.
3. Remove the seat cover from the seatback and/or the cushion.



Installation Procedure

1. Install the seat cover onto the seatback and/or the cushion with new hog rings.
2. Install the seatback and/or the seat cushion. Refer to "Front Seatback," "Front Seat Cushion," "60/40 Split Rear Seatback," and/or "Rear Seat Cushion" in this section.

GENERAL DESCRIPTION AND SYSTEM OPERATION

SEATS

Important : Do not attempt to change the designed seat position by altering the designed seat adjuster-to-floor pan anchor provisions or the seat adjuster-to-seat frame anchor provisions. Changing seat position could affect the performance of the seat system.

This vehicle is equipped with bucket front seats with separate, adjustable head restraints and a three-passenger folding rear seat. Seat cushions and seatbacks have

formed foam pads, which fit the contours of the split seat-back frame assembly and also the designed contour of the seat cushion frame. The front bucket seats have a recline adjustment. The driver's side seat has a dual height adjustment.

60/40 SPLIT REAR SEATBACK

The 60/40 split folding rear seatback is available notch-back and standard on the hatchback and wagon. Pressing the button located on the top of the rear seatback will unlock the seatback and allow one or sides to be lowered.